

ZALED A LED PURPOSE BUILT LUMINAIRE

INTRODUCING OUR LATEST WEATHERPROOF LUMINAIRE.

PRODUCT FEATURES

Die-cast aluminium housing

PC Opal Diffuser

24 LEDs – CREE XP-E

Fast mounting system

Dimensions – Length: 1,043mm
Width: 90mm
Height: 85mm
Weight: 1,800g

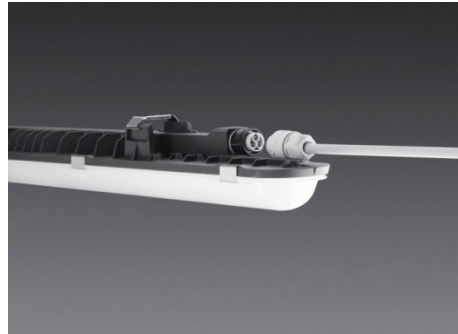
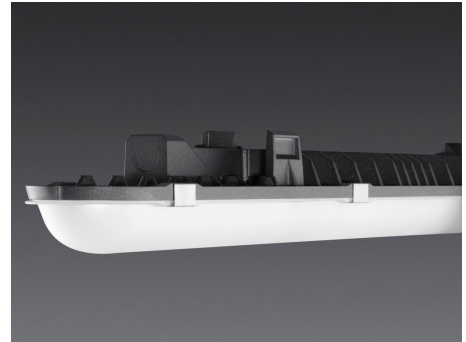
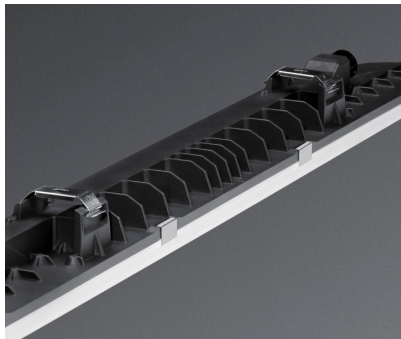
Luminaire efficiency: 73 lm/W

Luminous flux: 4,000lm

Consumption: <55W

Ta: -25°C - +35°C

Product life: > 50,000 hours



Rapid connection system: STUCCHI 3-pole connection socket at one end or both ends for through wiring versions.

WIELAND 5-pole connection socket for dimmable versions

Male and female plugs will be supplied.

Through wiring as an option

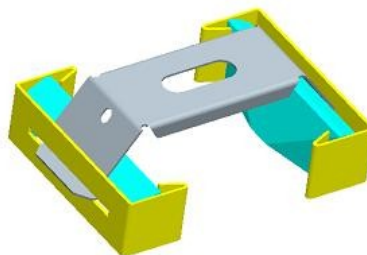
Colour temperature: 5,000°K – Other colours available on request

IK08

IP66

Electronic Driver: 230V 50hz

Ra: >65



Mounting accessories: Fixing clips for ceiling/wall surface mounting and triangular brackets for luminaire suspension (far left)

Theft-proof (optional): Two reinforcements prevent access to each fixing clip (left)



DNA UK Ltd,
Unit 1 Dean Farm,
Brighton Hill,
Ropley,
Alresford,
SO24 9SQ

Tel: 01962 772 666
Web: www.dnacap.com

Fax: 01962 772 660
e mail: uk@dnacap.com

ADVANTAGES LED vs FLUORESCENCE

Energy saving – Efficiency: 73lumen/Watt

Maintenance: 50,000 hours lifespan vs 18,000of a T5 lamp

Heavy Metal free

Instant: Light can be used without start-up time

5 Year Guarantee (Terms and conditions will apply)

USER BENEFITS

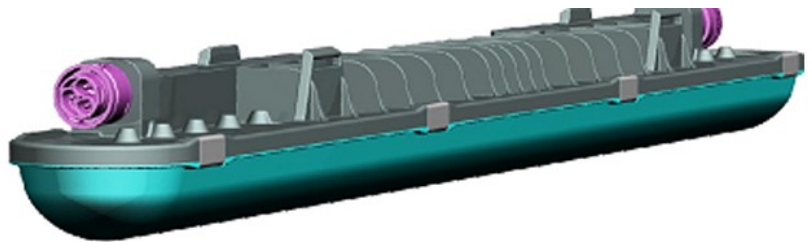
Safe: Robust concept with vibration-resistant components

Homogeneous: Excellent illumination thanks to opal diffuser

High service life: High quality LEDs from Cree combined with good driver (BAG) and materials

Simple installation: Zaleda is equipped with a plug and play ceiling connector

Easy to handle: thanks to its small size of 1m



APPLICATION EXAMPLES

Car Parks
Cold stores
Utility rooms
Washing facilities
Damp room areas of all types
Warehouses
Industrial facilities
And of course everywhere

where today a weatherproof luminaire can be installed.

The luminaire will not be able to be opened. If tampered, terms of guarantee will not be applicable.

Connection will be done via fast connectors.

